

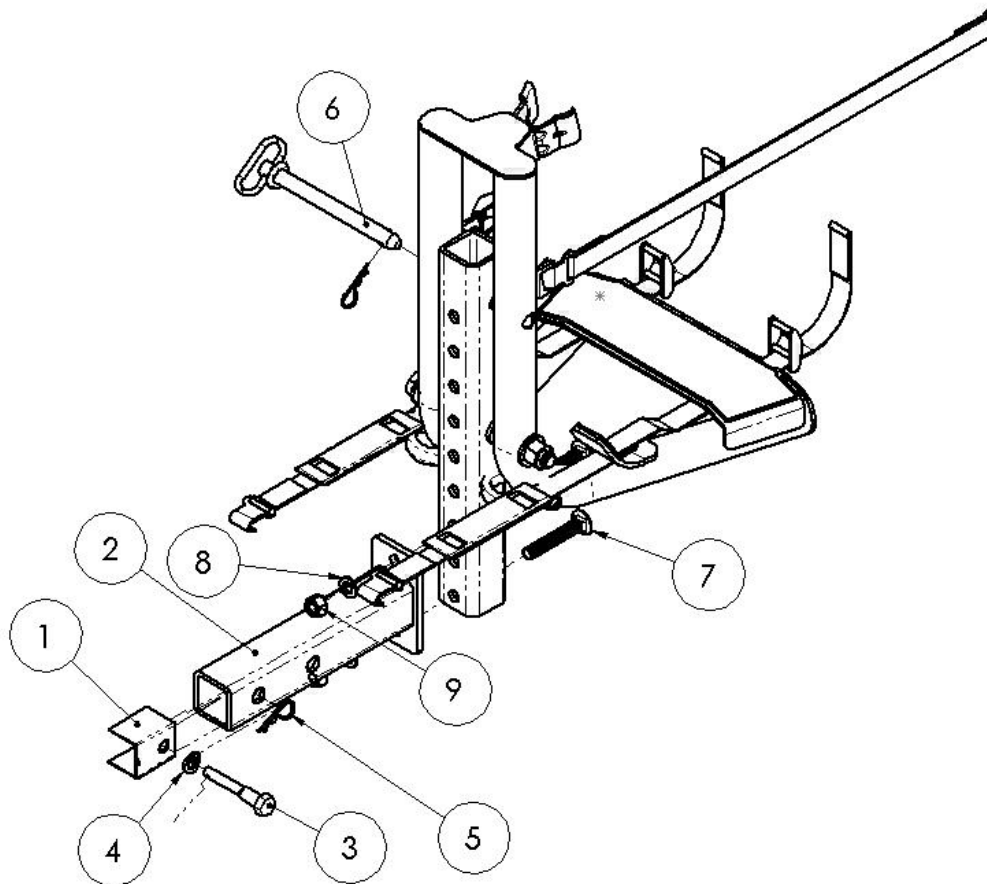


Segway® HT Hauler Instructions For Installation And Use

Parts list:

Check to make sure that you have all these parts:

- > HitchTite (1)
- > Receiver Tube (1-1/4" or 2" depending upon the model HT Hauler) (2)
- > HitchTite Bolt (3)
- > Split Washer (4)
- > Small Cotter Pin (5)
- > Pivoting Rack, with Locking Pin and large Cotter Pin installed (6)
- > Two Carriage Bolts (7)
- > Two Flat Washers (8)
- > Two Nuts (9)



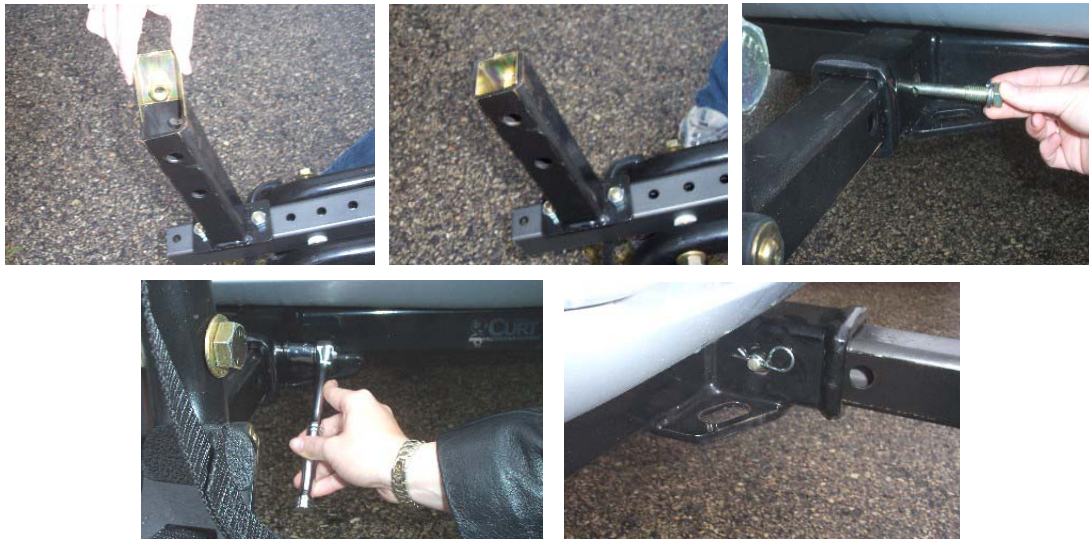
Tool Required for Installation: 3/4" wrench

 **WARNING**

- Read and follow these HT Hauler instructions. Failure to follow these instructions could cause death or serious bodily injury.
- Use with correct sized receiver hitch only. See below.
- Use to carry one Segway® HT only.
- Securely attach Segway HT with all three straps and locking pin and cotter pin.
- Do not use off-road.
- Do not attach to any trailer
- Do not exceed 65 mph.
- Do not use as step.
- Remove when not in use and before entering car wash.

INSTALLATION

- Step 1** Park the vehicle on a level surface.
- Step 2** Make sure the vehicle is equipped with the correct-sized receiver hitch, 1-1/4" or 2", depending on the model of HT Hauler. The HT Hauler must fit snugly within the vehicle receiver hitch. The vehicle and vehicle receiver hitch must be designed for a tongue weight of at least 150 pounds plus the weight of any attachments to the Segway HT.
- Step 3** Insert the HitchTite (1) into the Receiver Tube (2) so that the holes align.
- Step 4** Insert the Receiver Tube (with the HitchTite inside) into the vehicle receiver hitch so that holes align.
- Step 5** Insert the HitchTite Bolt (3) through the Split Washer (4) and then through the vehicle receiver hitch, Receiver Tube, and HitchTite. Insert the HitchTite Bolt so that the threads on the HitchTite Bolt thread into the threads on the HitchTite. (The head of the HitchTite Bolt should be on the same side as the tab on the HitchTite. Tighten the HitchTite Bolt securely with a 3/4" wrench. Secure by inserting the small Cotter Pin (5) through the hole at the end of the HitchTite Bolt.



- Step 6** You determine the height of the HT Hauler by selecting the appropriate holes in the central column of the Pivoting Rack for insertion of the Carriage Bolts. Attach the Pivoting Rack (6) to the Receiver Tube so that the lowest point on the Pivoting Rack when in the "up" position (which is the bottom of the central column) will be not less than nine inches above the ground. Installing at a lower height increases risk of damage to the Segway HT from striking the ground while hauling. Installing at a higher height makes loading and unloading the HT Hauler more difficult.
- Step 7** Attach the Pivoting Rack to the Receiver Tube by inserting the two Carriage Bolts (7) through the appropriate holes in the central column of the Pivoting Rack (to attain the correct height) and the holes in the flange on the end of the Receiver Tube. Secure each Carriage Bolt with a Flat Washer (8) and Nut (9). Tighten the Nuts securely using a 3/4" wrench. Then measure and make sure that the bottom of the central column of the Pivoting Rack is at least nine inches above the ground.



Installation is now complete.

USE INSTRUCTIONS

Loading the Segway HT onto the HT Hauler.

Step 1 Park the vehicle on a level surface.

Step 2 Remove the large cotter pin from the locking pin in the Pivoting Rack. The locking pin is the pin in the Pivoting Rack with a handle.



Step 3 While supporting the Pivoting Rack, remove the locking pin from the Pivoting Rack.



Step 4 Pivot the Pivoting Rack down into "loading/unloading" position.



Step 5 With the Segway HT powered off, roll the Segway HT forward into the Pivoting Rack so that the bottom of the Segway HT base touches the platform of the Pivoting Rack and the Segway HT control shaft fits into the bracket at the top of the Pivoting Rack.



Step 6 Pull the upper strap around the Segway HT control shaft base and insert the hook on the end of the strap into the slot on the opposite side of the bracket. Then pull the other end of the strap to tighten.



Step 7 Push on the top of the Segway HT control shaft so that the Pivoting Rack pivots up until the holes in the Pivoting Rack for the locking pin are aligned. Insert the locking pin through the holes to secure the Pivoting Rack in the up “hauling” position and insert the large cotter pin through the hole in the end of locking pin. Retighten the strap around the Segway HT control shaft base.



Step 8 Secure the Segway HT base to the Pivoting Rack with the two lower straps. Pull each strap all the way around the base and insert the hook into the buckle. Move the protective pads on the straps to the front of the Segway HT base to protect the mat and pull the end of the straps to tighten. Tie off the loose ends of the straps.



Step 9 Check to make sure the front of the Segway HT base is securely against the Pivoting Rack and that all three straps are tight. Check to make sure the locking pin and cotter pin are in place so that the Pivoting Rack does not pivot. Gently pull on the Segway HT to make sure it is secure and the rack does not pivot.



Removing the Segway HT from the HT Hauler.

- Step 1** Park the vehicle on level ground.
- Step 2** Be careful. You must support the Segway HT when removing the locking pin to prevent injury and damage that may be caused by uncontrolled pivoting of the Rack.
- Step 3** While supporting the Segway HT by holding the Segway HT control shaft so that the Pivoting Rack will not pivot, remove the large cotter pin and the locking pin from the Pivoting Rack. While supporting the Segway HT, slowly lower the Segway HT so that the Pivoting Rack pivots and lowers the Segway HT tires to the ground.
- Step 4** Loosen and unhook the three straps.
- Step 5** Roll the Segway HT away from the HT Hauler.
- Step 6** Pivot the Pivoting Rack back up to the hauling position and install the locking pin and cotter pin. Secure all three straps. Tie off the loose ends.



Questions?

If you are missing a part, or if you have any questions, please contact Segway Customer Operations at 1.866.4SEGWAY (1.866.473.4929) or on our website at www.segway.com/support/contact_us.html. Check www.segway.com for updates to this document.

LIMITED WARRANTY

The Segway HT Hauler is an “Accessory” covered by the Segway™ Human Transporter Limited Warranty (copy delivered with this kit.)